



**AlphaESS**  
your smart energy

# COMMERCIAL & INDUSTRIAL ENERGY STORAGE SOLUTION





MAKE SMART

CLEAN **ENERGY** ACCESSIBLE TO

EVERY PERSON AROUND THE GLOBE

# CONTENTS

<b>01 ABOUT ALPHAESS</b>	<b>P01</b>
· GLOBAL SERVICE NETWORK	
<b>02 THE STORY OF "STORION"</b>	<b>P05</b>
· APPLICATIONS	
<b>03 PRODUCT INTRODUCTION</b>	<b>P09</b>
· STORION-TB250/500	
· STORION-LC372	
· ALPHACS-H20-DC-LC	
<b>04 SMART ENERGY</b>	<b>P31</b>
· EMS 4.0	
· ALPHA CLOUD ( C&I VERSION )	
<b>05 CASE STUDY</b>	<b>P33</b>






# 1 ABOUT ALPHAESS

Founded in 2012, AlphaESS is now one of the world-leading energy storage solution and service providers. The company specializes in delivering pre-eminent fit-for-purpose product solutions covering the full power range from small portable power stations all the way up to large utility-scale solutions. With 30+ subsidiaries in the globe, AlphaESS provides local services and supports 150,000+ systems actively running in over 100+ countries.

 **12+**  
Years Since Establishment

 **200+**  
Patents in the ESS field

 **150,000+**  
Systems Installed Globally

 **100+**  
Countries & Regions

## TOP 1

2022-2023 TOP 1  
Australia Market Share  
from SunWiz

## TOP 5

2023 H1 TOP 5  
Residential ESS Provider in Germany  
from EUPD Research

## TOP 6

2021 TOP 6 Supplier of  
Global Residential Storage Systems  
from IHS Markit



ESG Transparency  
Award



product  
design award 2018



reddot design award 2018



GOOD  
DESIGN  
AWARD

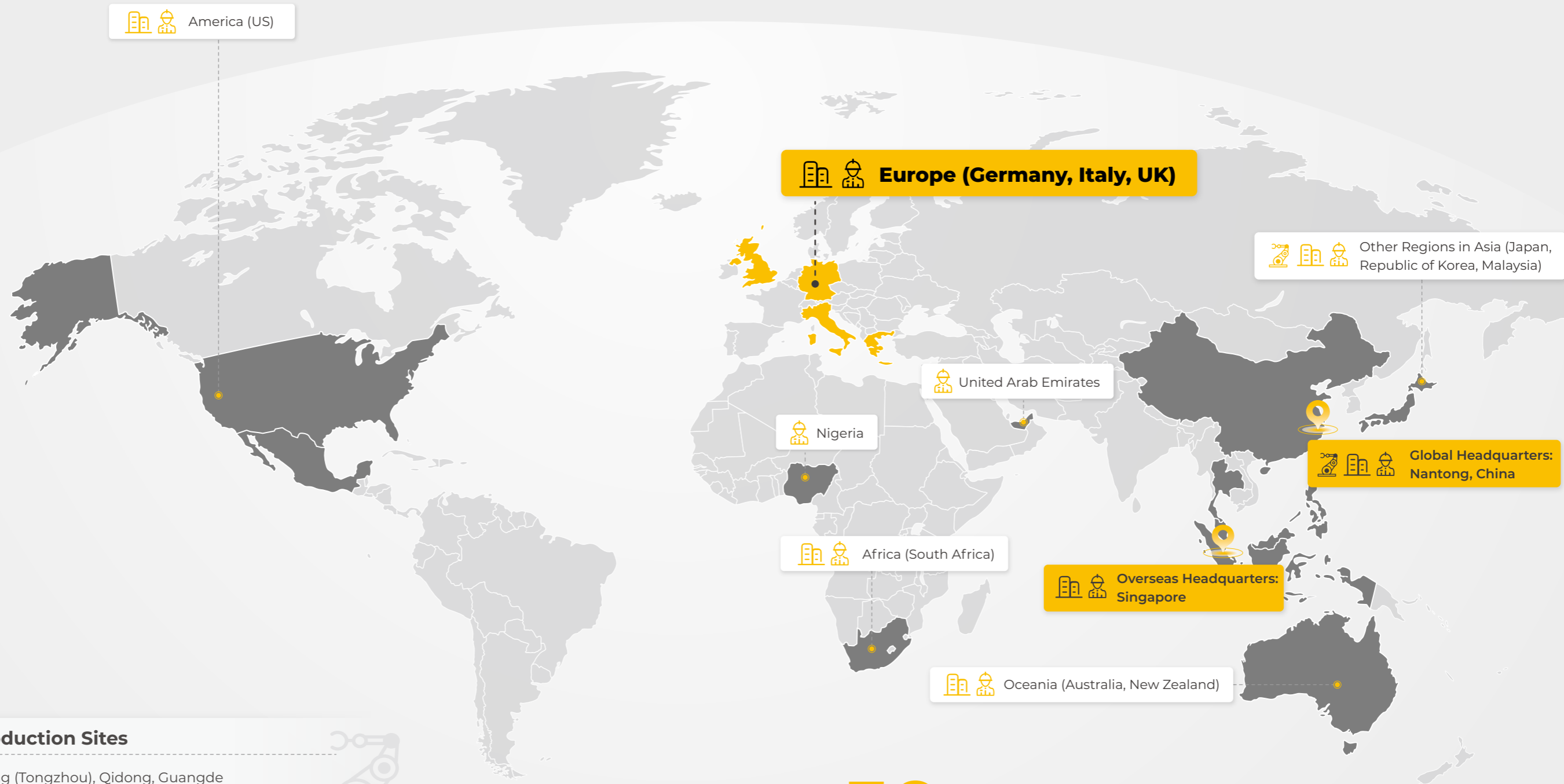
iF & Reddot & G-mark  
Design Award



TOP BRAND PV  
(STORAGE & INVERTERS)



# GLOBAL SERVICE NETWORK



## 4 Production Sites

**China:** Nantong (Tongzhou), Qidong, Guangde  
**Malaysia:** Penang

## 4 R&D Centers

Nantong (Tongzhou), Suzhou, Nanjing, Tianjin

## 30 Subsidiaries

**China:** Suzhou, Beijing, Tianjin, Shenzhen, Chengdu, and Nanjing.  
**Global:** European countries, including Germany, Italy, and the UK; Oceanian countries like Australia and New Zealand; the United States; Asian countries like Japan, Republic of Korea and Malaysia.

Note: The data shows the company's global presence as of the end of 2023.



# 2

## THE STORY OF "STORION" C&I SOLUTION

### 2024 1.5 GWh and LSES DEPLOYED WORLDWIDE

Since the launch of our Commercial and Industrial solutions until 2024, AlphaESS has installed a total of over 1.5 GWh C&I systems around the globe. The majority of these deployments have been in regions lacking reliable power infrastructure, providing millions of individuals access to dependable and sustainable clean energy sources.

### 2018 INTERNATIONAL RECOGNITION

Our rural electrification projects in Myanmar was selected by the Intersolar Europe committee as one of the 10 finalists for "outstanding projects award".

### 2017 MILESTONE PROJECT OVER 1 MWH

AlphaESS completed its first large C&I project in Cambodia, installing a 500kW/1.26MWh energy storage container. This milestone project provides steady and cheap electricity to a local pharmaceutical factory and its workers.

### 2015 THE FIRST C&I PROJECT

The first STORION series for commercial application were delivered in six petrol stations (20kW/60kWh × 6) in remote areas of Indonesia where power outages were frequent.

### 2013 THE ORIGIN OF THE NAME

STORage + Lithium-ION = STORION

## TODAY

With a decade of evolvment, the STORION is now a series dedicated for commercial and industrial applications in AlphaESS. Our STORION solution for rural electrification and power resilience applications today are ranging from 30kW to 500kW inverter power and 54kWh to 2MWh in storage capacity.



# APPLICATIONS



## RURAL ELECTRIFICATION

Lighting Up Villages,  
Powering Up Lives



## SCHOOLS, HOSPITALS AND BANKS

Energy Efficiency for Vital Spaces  
Where Every Watt Matters



## COMMERCIAL OFFICE BUILDINGS

Energy Resilience for  
Business Excellence



## SMALL FACTORIES

Fueling Industry,  
Energizing Growth



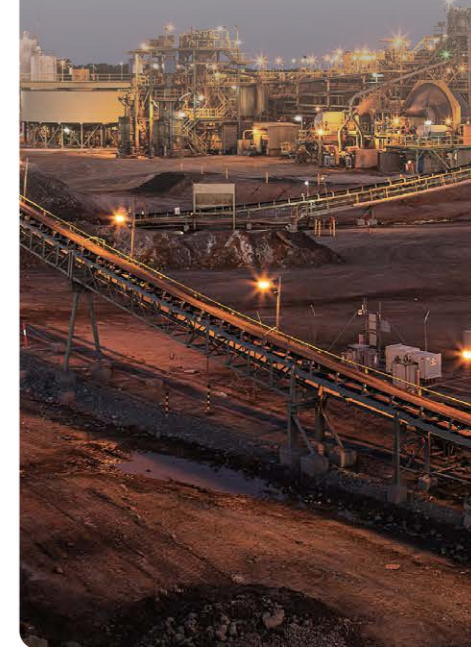
## ISLANDS

Island Energy Independence,  
Harnessing Power from Nature



## MINING SITES

Unearth the Power,  
Illuminate the Depths





# 3

## PRODUCT INTRODUCTION

### STORION-TB250/500

250 / 500 kW | 630 ~ 2090 kWh



### AlphaCS-H20-DC-LC

3727.3 kWh



### STORION-LC372

372 kWh per cabinet, up to 4.47 MWh



# STORION-TB250/500

250/500 kW | 630 ~ 2090 kWh

- ▶ AC-Coupled and DC-Coupled solutions are both available
- ▶ A liquid-cooling solution offers enhanced safety and extended lifespan
- ▶ On/Off-grid switching time  $\leq 20\text{ms}$
- ▶ Flexible capacity configuration  
209 kWh per cabinet, up to 10 cabinets in parallel  
Battery capacity ranges: 630 ~ 2090 kWh
- ▶ DC-Coupled up to 160% PV oversize
- ▶ Various working modes for different application scenarios
- ▶ LFP battery cell, high security, long cycle life



AC Container (PCS included)

Liquid-cooling Battery Cabinet



STORION-TB250/500 is an AlphaESS liquid-cooling C&I product for large-scale C&I application, the container has EMS, PCS, STS, transformer, air conditioner, fire extinguishing devices and other equipment. Customers can choose different power range according to their application scenarios.

► **Easy Installation**

- Devices and batteries are pre-assembled at the factory
- Only external wiring at first installation

► **Flexible Configuration**

- PCS is available in 250/500 KVA two options
- The battery capacity ranges from 630 kWh ~ 2090 kWh

► **Safety**

- Active temperature monitoring and control at  $23 \pm 2^{\circ}\text{C}$
- Smoke & temperature detection, automatic alarm system

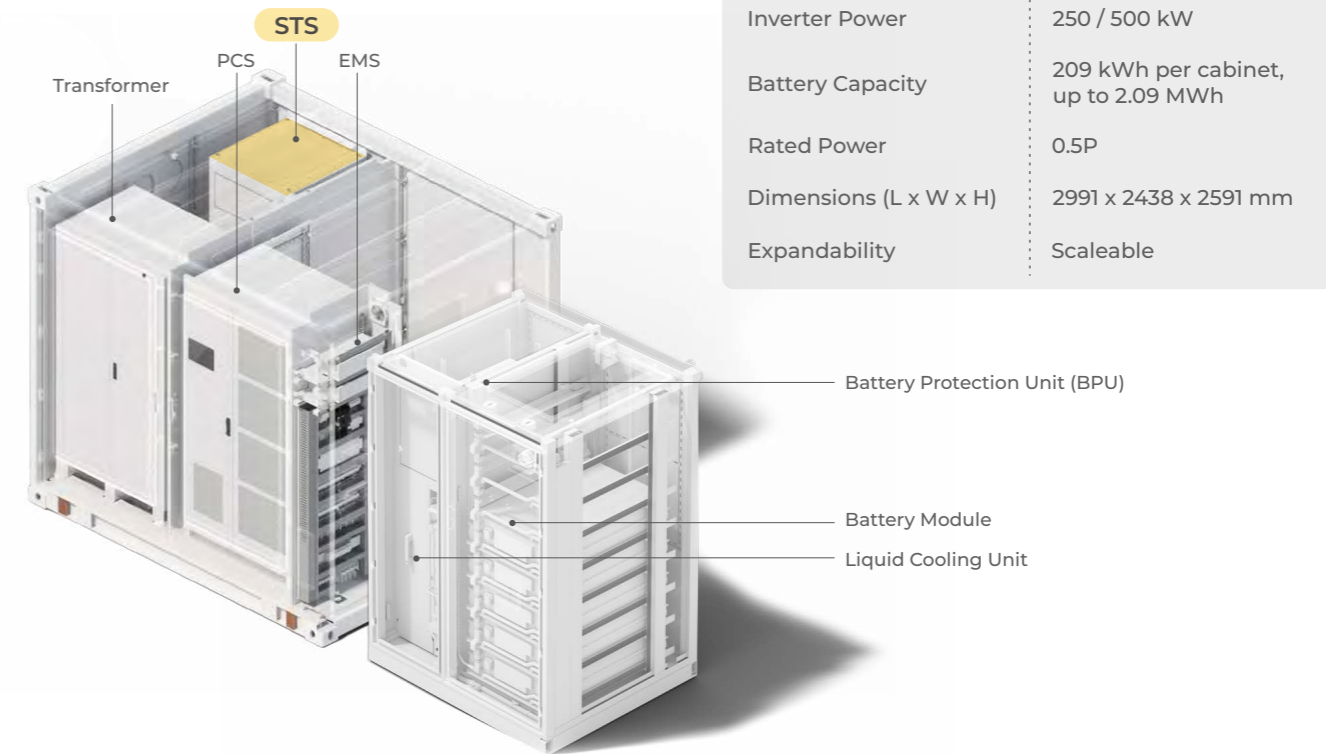
► **Expandable Capacity**

- AC-coupled solution supports a maximum of 4 systems in parallel, reaching a maximum of 2MW power and 8MWh battery capacity.

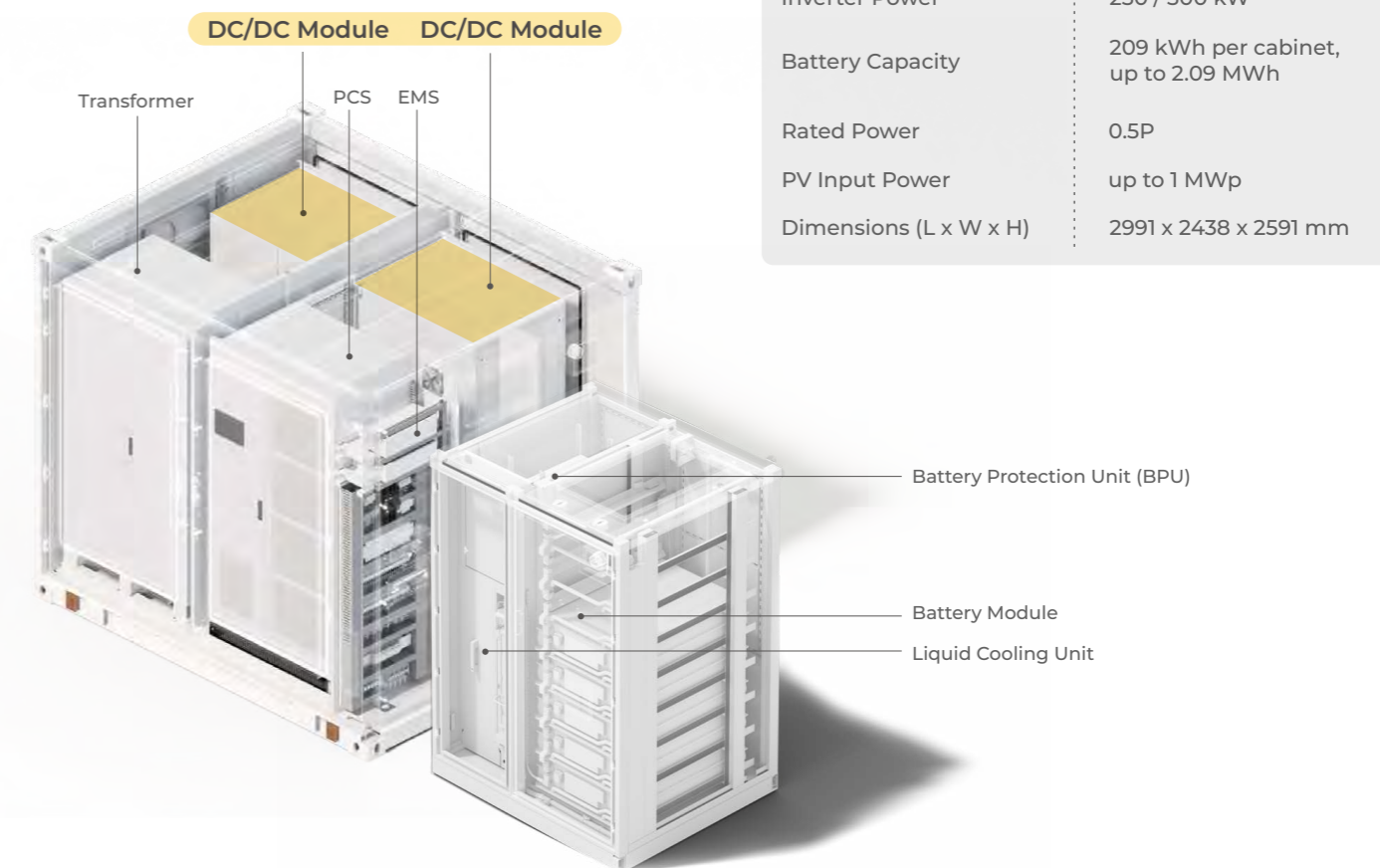


# SOLUTIONS

## AC-Coupled

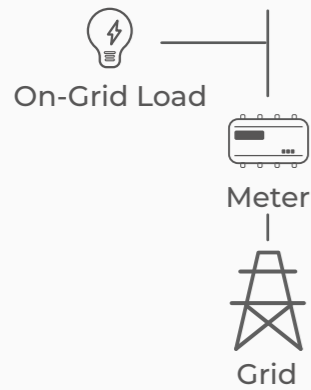
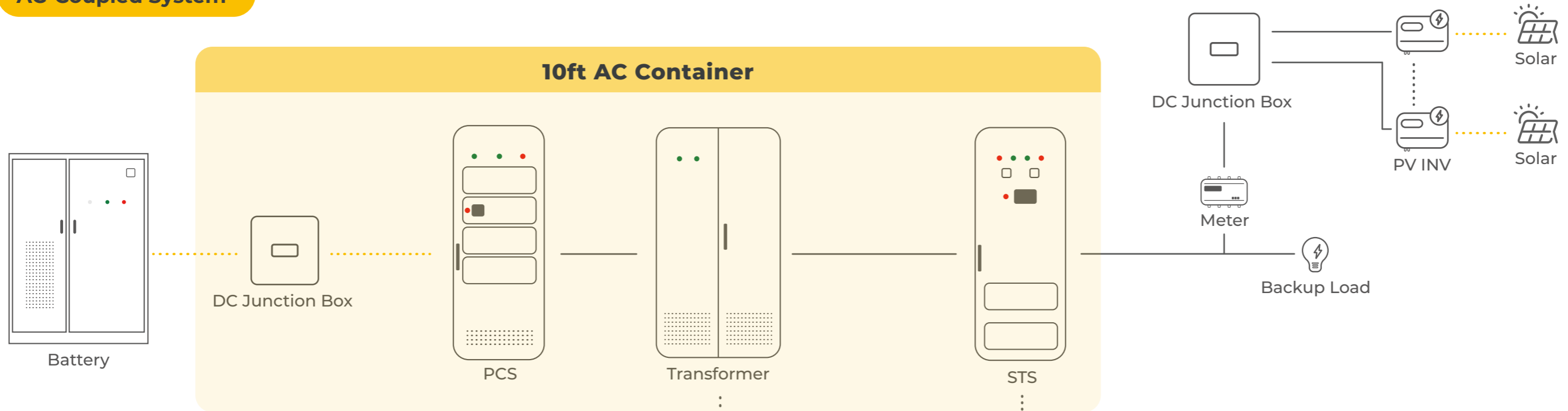


## DC-Coupled



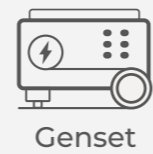
# SOLUTIONS

## AC-Coupled System



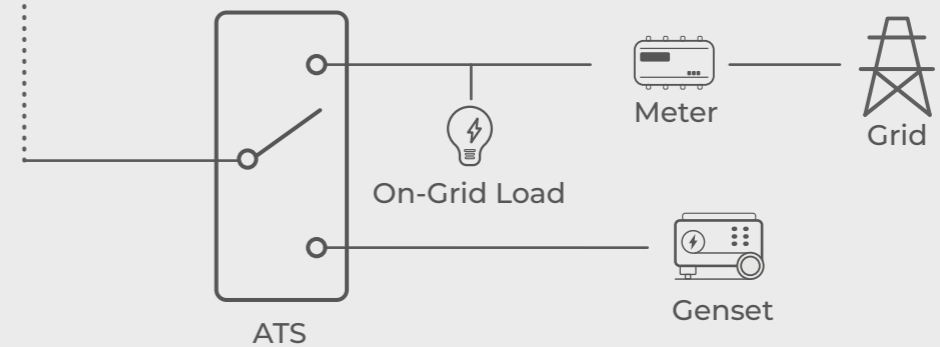
### OPTION 1 On-Grid System

By integrating grid, solar, and battery sources, our system allows customers to select various operating modes. In the event of a grid outage, the on-grid load will be disconnected, and the system will automatically switch to supplying backup load, keeping you unaffected by power disruptions.



### OPTION 2 Off-Grid System

The generator is managed by the EMS via dry contact, allowing users to control its operation based on preset schedules, battery SOC, or manually. This setup ensures continuous operation of either the generator or the STORION system at any given time. Both the diesel generator and the STORION system work together seamlessly, guaranteeing a reliable power supply for customers residing in remote off-grid areas.



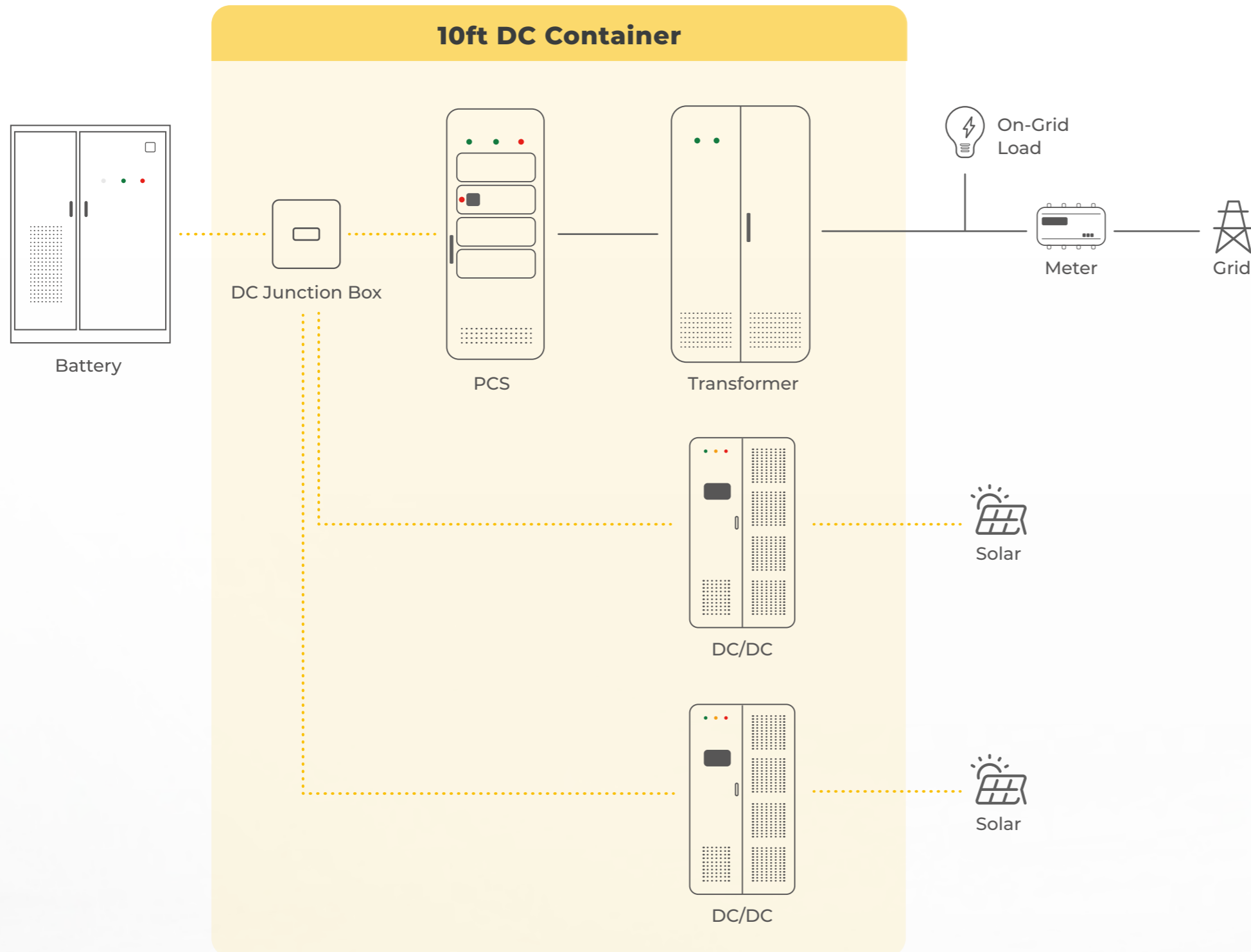
### OPTION 3 Dual Power Supply System

This solution requires an additional ATS device for seamless power source switching. In the event of a grid outage, the ATS will automatically switch to the generator side. The EMS controls the generator's operation, ensuring continuous power supply. This setup ensures that either the generator or the STORION system is always operational, guaranteeing uninterrupted backup power for essential loads.



# SOLUTIONS

## DC-Coupled System



### ► For some scenarios with PV oversizing requirements

- Need extra DC/DC modules
- Support Max. two DC/DC modules in parallel
- Each DC/DC module has 8 MPPTS
- Adapt to multi-orientation PV arrays to maximize energy output

### ► Maximum 160% PV oversizing

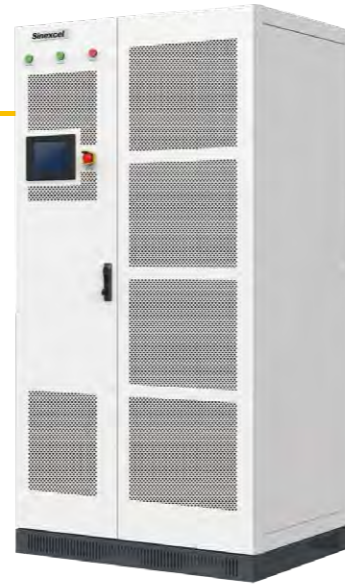
### ► Integrated DC/DC modules in containers, saves space and installation time

# COMPONENTS

## DC / DC Module

- 400kVA, 8MPPTs
- Max. 2 Modules in Parallel Operation

The DC/DC module can be integrated into the TB series configuration to enable a DC-coupled solution. This module consists of eight 50kW DC/DC converters, each equipped with 8 MPPTs, and supports two units connected to TB series PCS in parallel. For TB500, up to 160% DC oversizing is attainable, optimizing energy utilization. During sunny conditions, part of the electricity output can be directed to supply the load while the other part charges the battery, effectively maximizing the self-consumption rate.



## STS 800kVA

- On/Off-Grid Switching Time  $\leq 20\text{ms}$

STS is responsible for switching between on-grid and off-grid states. When the system detects a grid abnormality, the STS can switch to off-grid mode within 20ms. This ensures that the electronic equipment connected to the system is not affected by a power outage. A rated power of 800kW ensures circuit safety during switching.



The TB series three-phase battery inverter is one of the best products on the market today. It has six power options to match different customer needs, and the product has a modular design with modular STS and Transformer for easy installation and lining up.

## PCS TB250/500 Battery Inverter

- 4/8 × 62.5kVA PCS
- 340 ~ 460V , 50/60Hz, 3L/N/PE

PCS is an important component of a microgrid. It can bidirectional invert DC and AC, and adjust the current waveform to be consistent with the grid, to realize the interaction with the grid. It supports a range of voltages up to 460V, so multiple batteries and PV arrays can be connected in series or parallel.



## Transformer 500kVA

- Isolation and Transfer from Delta Grid to Star Grid

The transformer has a maximum input voltage of 380V and a maximum output voltage of 400V. In addition, it supports switching between star and delta circuits to isolate the grid and the devices connected to the system, thus maximizing the protection of the system from grid fluctuations.





# COMPONENTS

## BATTERY CLUSTER SYSTEM

### Battery Module

Module	M166280-S
Nominal Capacity	46.5 kWh
Max. Charging/Discharging Current	140 A
Depth of Discharge	98%(On-Grid), 90%(Off-Grid)



### Configuration Rack

BLMU	HV1500250-II
Rated Voltage	Max. 1500V
Rated Current	Max. 250A
Operation Temperature	-30 ~ 50 °C
Dimensions (W x D x H)	526 x 650 x 250mm
Weight	30 kg



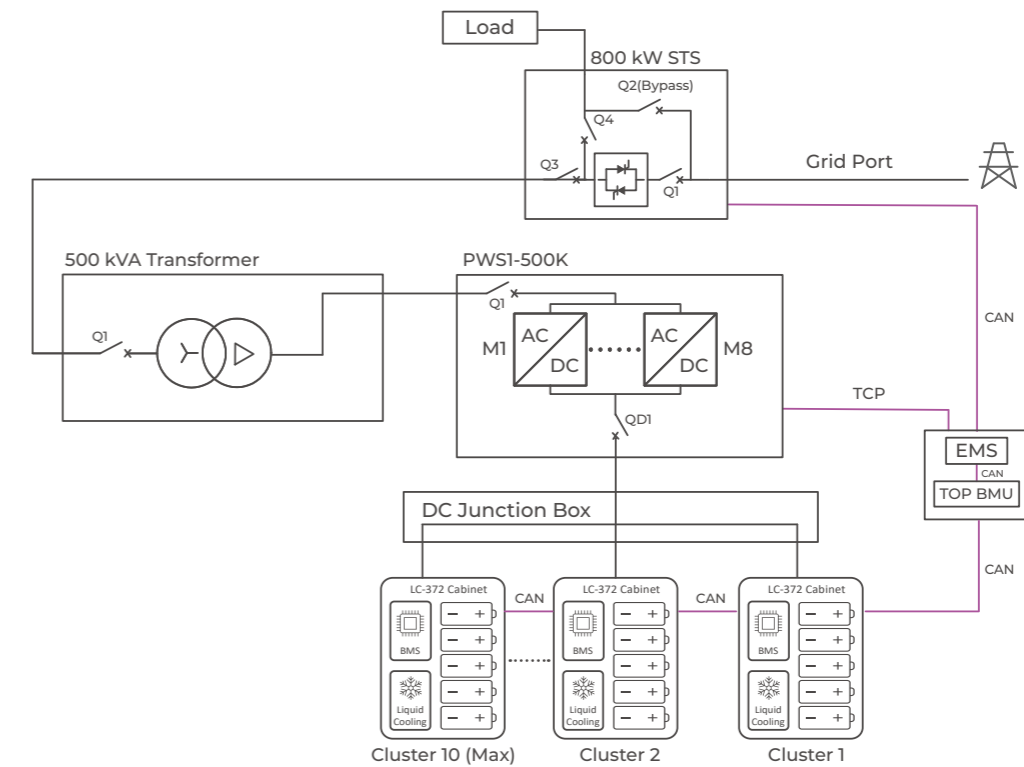
### Battery Cabinet

Module	STORION-LC372
Nominal Capacity	209.6 kWh
Number of Cabinet	3 ~ 10
Dimensions (W x D x H)	810 x 1110 x 237.5 mm
Ingress Protection	IP 55
Operating Temperature Range	-30 °C ~ 50 °C

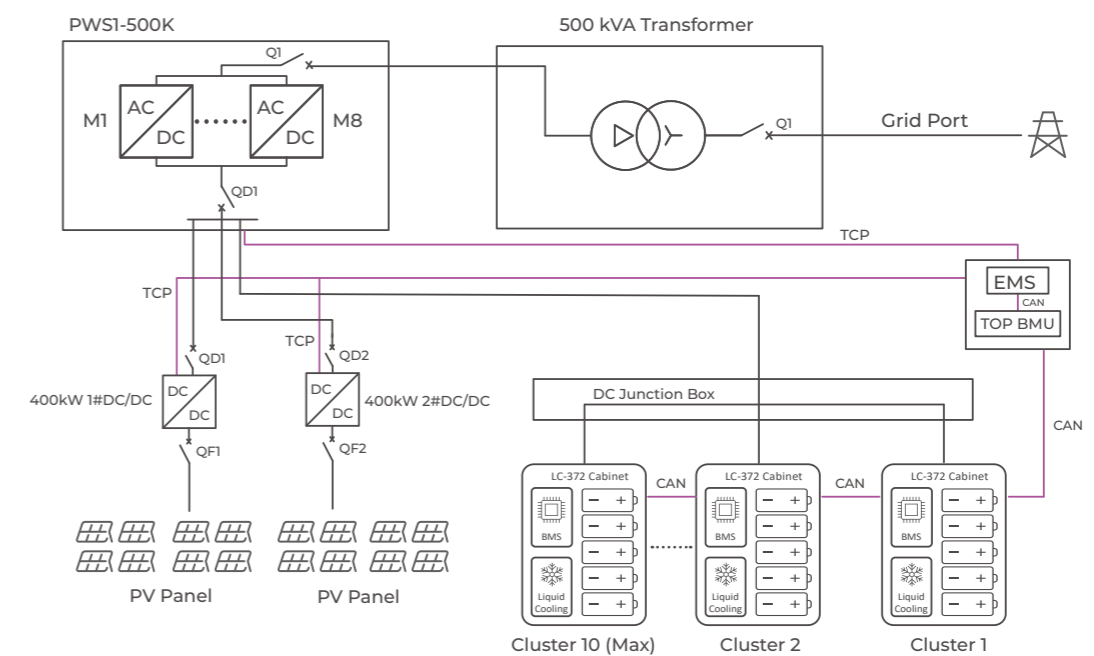


# WIRING DIAGRAM

## AC-COUPLED SOLUTION



## DC-COUPLED SOLUTION





# MULTIPLE UNITS EXPANSION

## SCALEABLE

STORION-TB250/500 CONTAINERS IN PARALLEL

TOTAL POWER CAPACITY: **250kW/500kW/1MW/2MW...**





# STORION-LC372

372.7 kWh / 1500 V Liquid-Cooling Battery Cabinet

## ► Easy Installation

Most devices are pre-assembled at the factory  
Just install the battery and external wiring at first installation

## ► Liquid-cooling solution

Built-in advanced liquid-cooling system provides excellent temperature management for battery cabinet. Reduced risk and longer life span.

## ► Safety

Built-in aerosol and sprinkler system. Real-time monitoring of battery cells and ambient temperatures. Once the abnormal temperature and smoke is detected, the fire suppression system will be activated immediately.

## ► Expandable Capacity

Single-system access up to 12 liquid-cooling battery cabinets, expandable to 4.47 MWh.



# STORION-LC372

Model	Storion-LC-372
<b>System Parameters</b>	
Dimensions (W x D x H)	1700 x 1500 x 2450 mm
System Weight	4.65 t
Ingress Protection	IP55
Rated Voltage	1331.2 V (8 Modules)
Nominal Capacity	372.7 kWh (8 Modules)
Rated Charging and Discharging Power	186.3 kW (0.5C)
Battery Modules Connection	4 ~ 8 in series connection
Battery Chemistry	LFP (LiFePO4)
Cooling	Liquid Cooling
Product Type	Outdoor Cabinet
Fire-Fighting System	Aerosol + Sprinkler
<b>Battery Parameters</b>	
Battery Model	M166280-S
Rated Voltage	166.4 V
Nominal Capacity	46.5 kWh
Rated Charging and Discharging Power	23.2 kW (0.5P)
Ingress Protection	IP67
Weight	333 kg
Dimensions (W x D x H)	810 x 1100 x 237.5 mm
Operating Temperature Range	-30 °C ~ 50 °C
<b>Certification</b>	
Transportation	UN 38.3
Compliance	IEC 62619, IEC 62477, IEC 61000, UL 9540A, UL 1973

# AlphaCS-H20-DC-LC

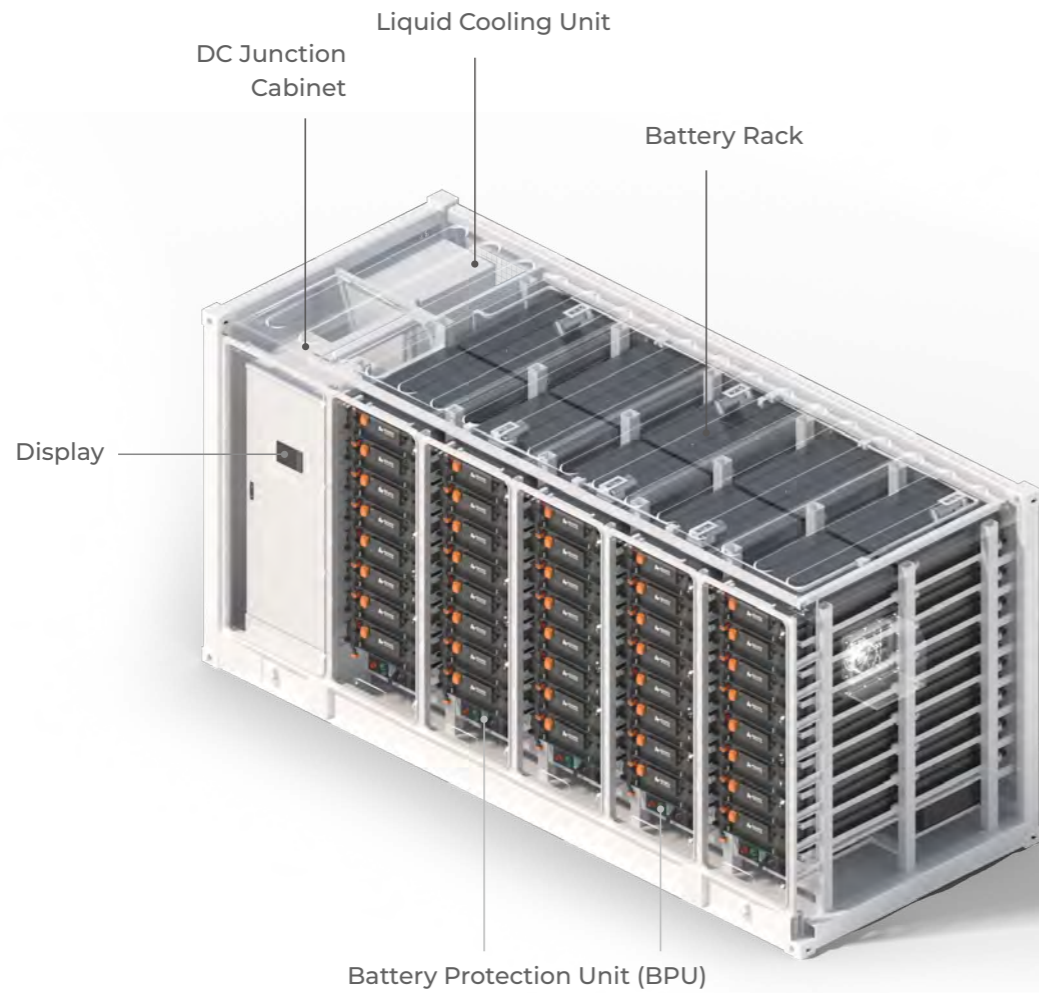
3.72 MWh / 1500V Liquid-Cooling Battery Container

- ▶ Ultra-large capacity energy storage for diverse application scenarios (Utility projects)
- ▶ Liquid-Cooling System Enhances Temperature Control and Durability
- ▶ Multi-level safety protection with European ICE and American UL certification
- ▶ Built-in BMS system, real-time monitoring and management
- ▶ Noise reduction option available ( < 75dB )





# 20FT CONTAINER



Battery Type	LiFePO4
Nominal Capacity	3727.3 kWh
Weight	35t
Dimensions (WxDxH)	6058 x 2438 x 2896 mm
Housing	IP55
DC Voltage Range	1123.2~1497.6V
Rated Power	0.5 P
Cooling	Liquid Cooling
Operating Temperature	-30°C~ 50°C

# AlphaCS-H20-DC-LC

Model	AlphaCS-H20-DC-LC
<b>System Parameters</b>	
Dimensions (W x D x H)	6058 x 2438 x 2896 mm
System Weight	35 t
Ingress Protection	IP55
Rated Voltage	1331.2 V
Nominal Capacity	3727.3 kWh
Rated Charging and Discharging Power	1863.6 kW (0.5 P)
Battery Cluster Connection	10 Clusters in Parallel
Battery Chemistry	LFP (LiFePO4)
Cooling	Liquid Cooling
Product Type	Outdoor Container
Fire-Fighting System	Aerosol + Sprinkler (Perfluorohexanone is optional)
<b>Battery Parameters</b>	
Battery Model	M166280-S
Rated Voltage	166.4 V
Nominal Capacity	46.5 kWh
Rated Charging and Discharging Power	23.2 kW (0.5 P)
Ingress Protection	IP67
Weight	333 kg
Dimensions (W x D x H)	810 x 1110 x 237.5 mm
Operating Temperature Range	-30 °C ~ 50 °C
<b>Certification</b>	
Compliance	IEC 62619, IEC 62477, UL 9540A, UL 1973, IEC 61000

# 4 SMART ENERGY

## EMS 4.0

EMS4.0, the fourth generation of AlphaESS's EMS products, was officially released in 2024. Since the first release in 2013, the R&D team has continually updated the EMS to meet market demands and technological advancements. Its robust performance and features assist users in commercial and industrial sectors in tackling complex issues, adapting to various applications, and offering versatile solutions.

### • Rich Functions

Self-Consumption; multiple time periods charging and discharging; SOC calibration; PmeterOffset; Peak Shaving; Modbus scheduling (RTU); Battery-only function; Diesel control; Dual power supply function; API data reading; Remote upgrade

### • Friendly Display

SCADA monitoring system, display screen with Windows operating system; Space-saving and Security

### • Space-Saving and Security

Integrated battery DC convergence cabinet in the box, and external SCADA HMI display screen, space-saving and an additional layer of box protection, increasing security.

### • Reserved Communication Port

It is convenient for users to control other equipments through the STORION system.



Alpha ESS EMS 4.0



DC Junction Cabinet

## AlphaCloud (C&I Version)

- ▶ Customizable system scheme drawing for clearer demonstration of energy flow.
- ▶ Cell level monitoring to help monitor the energy storage system in all aspects.
- ▶ Visualization of energy production and consumption statistics, helping users to clearly understand the situation of power consumption.
- ▶ Remote configuration and upgrading, eliminating the pain point that installers need come to the site to deal with all issues.
- ▶ One page contains monitoring of all systems installed, helping users to carry out daily maintenance efficiently.







## ENERGY STORAGE SOLUTIONS

Residential

Commercial & Industrial

Utility



### Alpha ESS Europe GmbH

✉ [europe@alpha-ess.de](mailto:europe@alpha-ess.de)

🌐 [www.alphaess.de](http://www.alphaess.de)

📍 Paul-Ehrlich-Straße 1a, Langen,  
Hessen D-63225 Germany

We reserve the right to make technical changes and updates at any time. The values, services and other information, illustrations or drawings contained in this data sheet, brochures and other offer documents are only examples and are subject to ongoing Revision and adaptation. Insofar as the information has not been expressly designated by us as binding, this information does not constitute an assurance. The information in the binding order acceptance or the purchase contract shall apply.

V01.06112024 | Text and images correspond to the current state of technology at the time of printing. Subject to modifications. All information is without guarantee in spite of careful editing - liability excluded.